



ASSEMBLY GUIDE

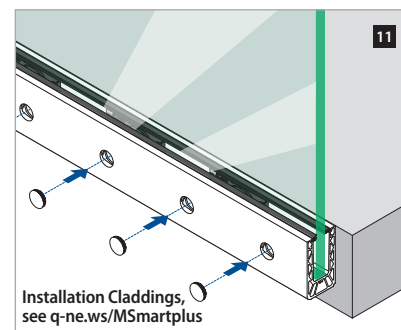
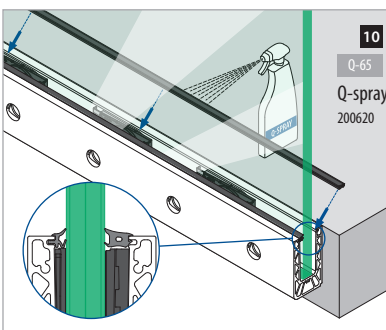
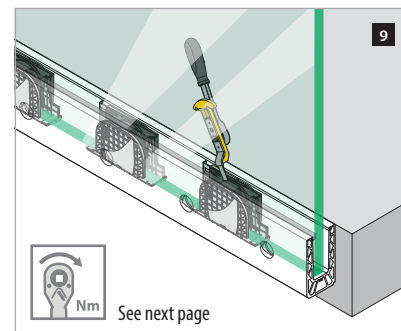
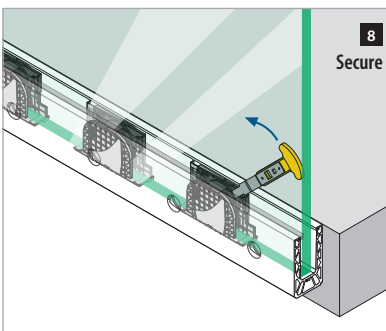
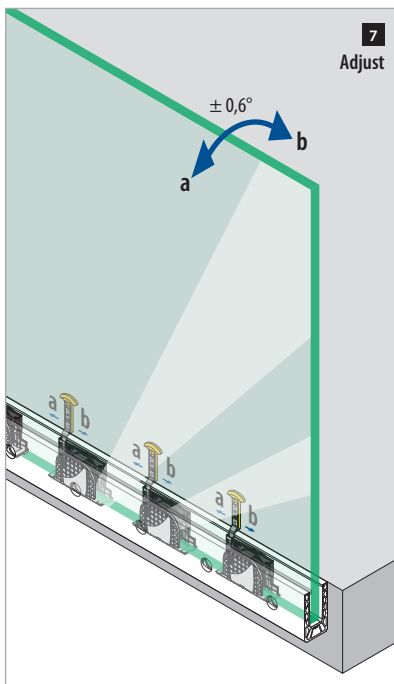
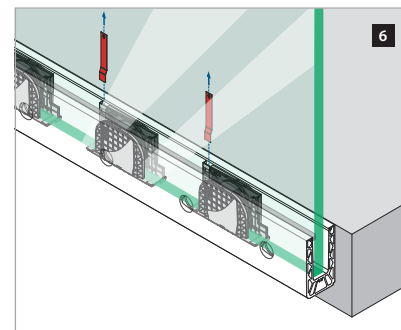
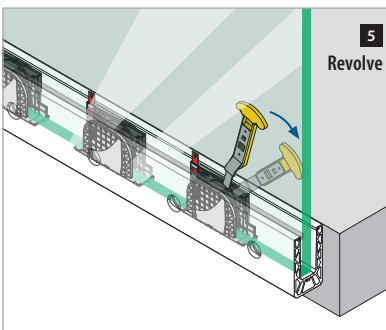
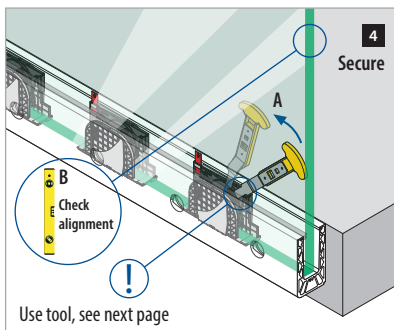
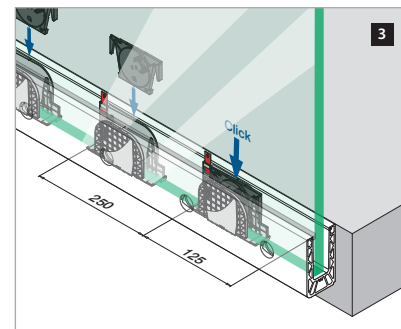
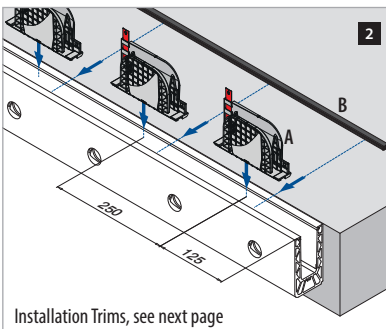
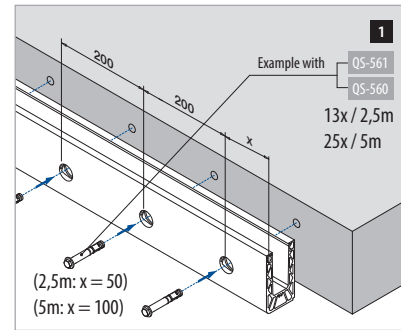
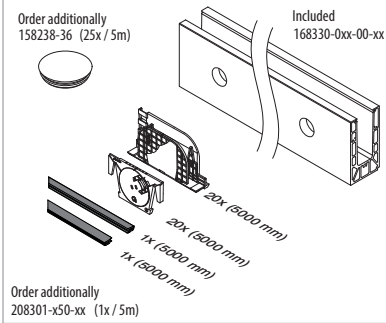
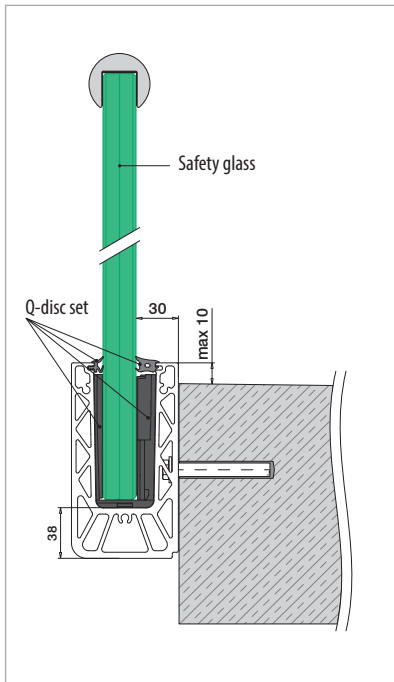
168330-0xx-00-xx

Railing base

EASY GLASS® SMART+ FASCIA - Base shoe, fascia mount

For adjustable glass fixation

Q-INFO MOD 8330



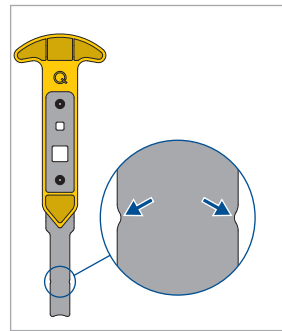
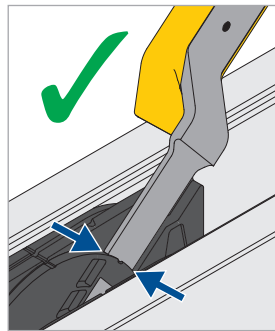
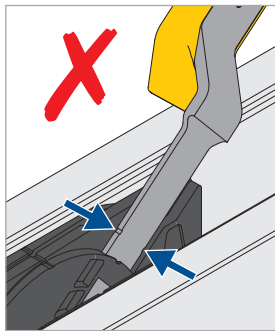
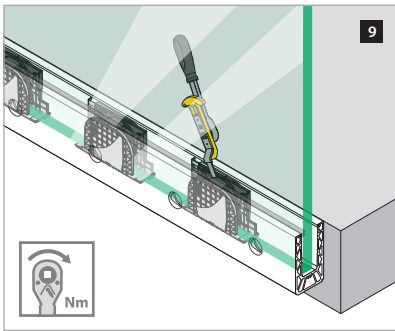


Q-disc® System

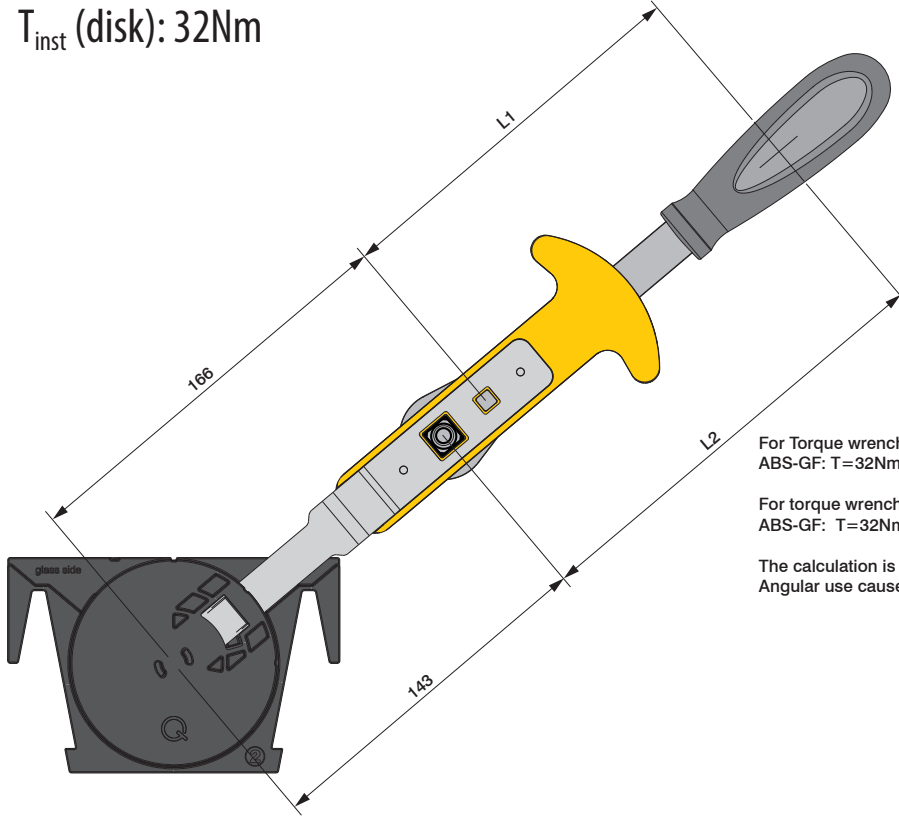
Q-disc and inlay tool

For adjustable glass fixation

Q-INFO MOD 8301 / 1000



T_{inst} (disk): 32Nm



For Torque wrench 1/4":
ABS-GF: $T = 32\text{Nm} * L1 / (L1 + 166\text{mm})$

For torque wrench 1/2":
ABS-GF: $T = 32\text{Nm} * L2 / (L2 + 143\text{mm})$

The calculation is valid for straight-lined use.
Angular use causes different torque.

Railing base

EASY GLASS® SMART+ FASCIA - Trims, fascia mount

